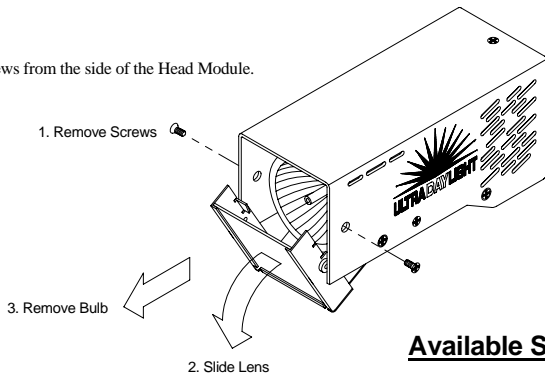


The Anton/Bauer[®] UltraDAYLight is designed to be used in conjunction with the Ultralight 2[®] and new UL-S and UL-D lights. Simply remove your existing Head Module from the Ultralight or Ultralight 2 base, and replace it with the UltraDAYLight Head.

Bulb Replacement

1. Remove the (2) two phillips screws from the side of the Head Module.
2. Slide the diffusion lens down.
3. Remove the bulb.



Available Separately

ABH-10 10° Spot replacement bulb

ABH-20 20° Spot replacement bulb

Note

- Bulb may take 30 seconds to reach proper color temperature.
- Light must be turned off for 30 seconds before re-starting.